

38999 Series ELIO® Blind Inspection Tool



ELIO® Blind Inspection Tool

The ELIO® blind inspection tool is developed for faster and safer termini inspection in mass production environment and field use.

Fast ■ Long guiding of the inspection probe tip.

Safe ■ No risk of damaging with the probe tip the close-by termini.

User friendly ■ Control with one hand.
The tool remains fixed on the connector during inspection.

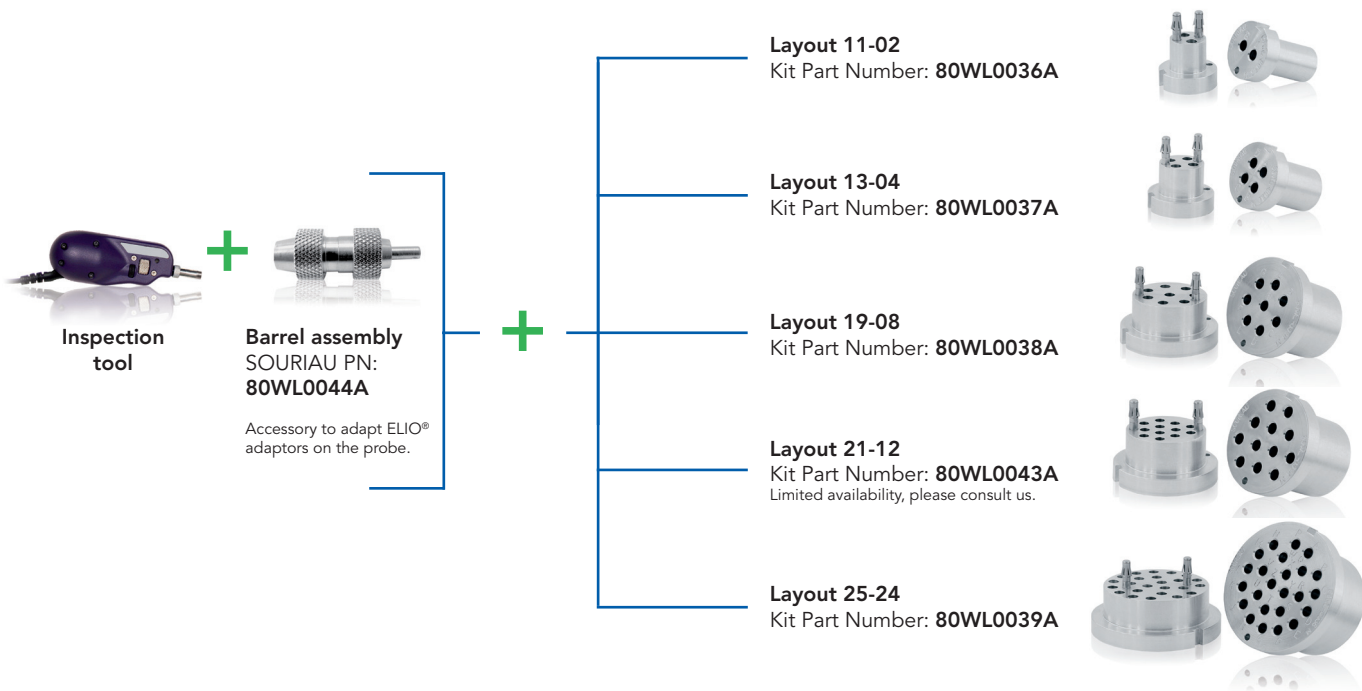
Blind inspection tool



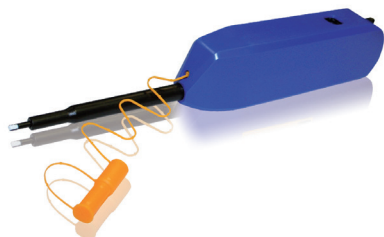
The **blind inspection tool** is developed for faster and safer termini inspection in mass production environment and field use.

- **Fast:** It enables blind inspection thanks to a long guiding. Same inspection tip for the female and male insert.
- **Safe:** There is no risk of damaging with the probe tip the close-by termini or a ferrule.
- **User friendly:** Control with one hand. The tool remains fixed on the connector during inspection.

The blind inspection tool is delivered by Kit for each layout, consisting of male and female puck. The Blind inspection tool is dedicated to MIL-DTL-38999 Series III/EN3645 with ELIO® high insert density.



Cleaning pen



Standard cleaning pen for ceramic termini

- Simple pushing motion to engage tool
- Audible CLICK to alert operator when tool is fully engage
- Dry & large cleaning strand eliminates the need for solvents to be effective
- Contaminates such as alcohol, water, skin oil, vegetable and hand lotion residue as well as graphite and t-shirt lint are lifted from the connector end face

SOURIAU recommends:

- IBC™ Brand Cleaner M250 from USConec for cleaning ELIO®/ELIObeam termini
- IBC™ Brand Cleaner LC for cleaning the ARINC 801 termini

Insertion & extraction tool

The insertion & extraction tool for ELIO® contact **with** boot is compatible with previous and new ELIO® contact versions.

80WV-0059A



The insertion & extraction tool for ELIO® contact **without** boot is compatible with previous and new ELIO® contact versions.

80WV-0060A



For further information contact us at technical.emear@souriau.com (Europe - Asia - Africa)
technical.americas@souriau.com (North America)
or visit our web site www.souriau.com