



Re-usable Fixing Plates

Save time in square flange receptacle connectors mounting

- Save time** ■ Replacing up to eight components by a single one. Optimizing mounting time.
- High performance** ■ Reducing operating costs. Providing self-locking of screws. Facilitating maintenance by reducing the number of tools and eliminating any accessory fall risk.
- Wide range** ■ Four, Three & Two – hole self-locking fixing plates. For UNJC and ISO thread. Suitable for all major aerospace, military and industry circular ranges MIL-DTL-38999, Trim Trio, ...

Selection guide

Holes	Series	Aerospace defense					EN 2997	Industry			
		MIL-DTL-26482	MIL-DTL-38999			8533 Series	Trim trio				
		851/852	Serie I - 8LT	Serie II - 8T	Serie III - 8D		UTO	UTG	UTS / UTS HI seal		
					*Out					*In	
Sizes											
4 Holes	SN 201 F	8	8	-	8	-	9	8	-	-	8
		10	10	9	10	9	11	10	10	10	10
		12	12	11	12	11	13	12	12	12	12
		14	14	13	14	13	15	14	14	14	14
		16	16	15	16	15	17	16	16	16	-
		18	18	17	18	17	19	18	18	18	18
		20	20	19	20	19	21	20	20	20	-
		22	22	21	22	21	23	22	22	22	-
		24	24	23	24	23	25	24	24	24	-
	243	24	23	24	23	25	24	24	24	-	
	SN 1252	8	8	-	8	-	9	8	-	-	8
		10	10	9	10	9	11	10	10	10	10
		12	12	11	12	11	13	12	12	12	12
		14	14	13	14	13	15	14	14	14	14
		16	16	15	16	15	17	16	16	16	-
		18	18	17	18	17	19	18	18	18	18
		20	20	19	20	19	21	20	20	20	-
		22	22	21	22	21	23	22	22	22	-
24		24	23	24	23	25	24	24	24	-	
243	24	23	24	23	25	24	24	24	-		
3 Holes	SN 1083	8	8	-	8	-	9	8	-	-	8
		10	10	9	10	9	11	10	10	10	10
		12	12	11	12	11	13	12	12	12	12
		14	14	13	14	13	15	14	14	14	14
		16	16	15	16	15	17	16	16	16	-
		18	18	17	18	17	19	18	18	18	18
		20	20	19	20	19	21	20	20	20	-
		22	22	21	22	21	23	22	22	22	-
		24	24	23	24	23	25	24	24	24	-
		243	24	23	24	23	25	24	24	24	-
2 Holes (slim)	SN 1862	8	8	-	8	-	9	8	-	-	8
		10	10	9	10	9	11	10	10	10	10
		12	12	11	12	11	13	12	12	12	12
		14	14	13	14	13	15	14	14	14	14
		16	16	15	16	15	17	16	16	16	-
		18	18	17	18	17	19	18	18	18	18
		20	20	19	20	19	21	20	20	20	-
		22	22	21	22	21	23	22	22	22	-
		24	24	23	24	23	25	24	24	24	-

*Thanks to the oblong holes in MIL-DTL-38999 SIII flange, fixing plates can be mounted in two ways:
 On the central side of the oblong holes (In) with a smaller fixing plate or on the external side of the oblong holes (Out) with a bigger fixing plate.



Description

- Replacing up to eight (for 4 holes) attachment accessories (nuts, plain washers or locking washers) by a single one
- Optimizing mounting time
- Reducing operating costs
- Providing self-locking of screws
- Front or rear mounting on panel
- Easy to maintain, no risk to loose elements
- Suitable for all major aerospace military and industrial circular ranges

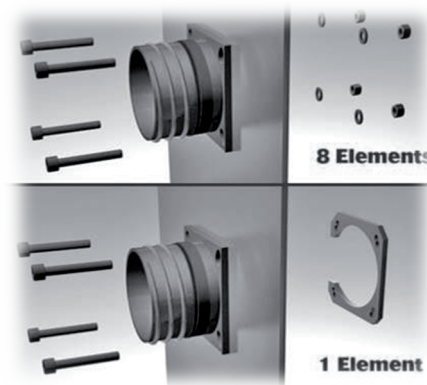
Technical features

Mechanical

- **Material:**
Aluminum alloy:
SN201F, SN1252, SN1083, SN1862
- **Plating:**
Black anodization (RoHS):
SN201F**N, SN1252**N, SN1083**N
- **Green anodization (RoHS):**
SN201F*V, SN1083*V
- **Alodine (non RoHS):** SN1862



- **Thread:**
ISO thread:
SN201F**N, SN1252**N, SN1083**N
- **UNJC thread class 3B:**
SN201F**V, SN1083**V, SN1862**VA
- **Locking:**
SN201F teflon locking pins
SN1252 helicoil locking nut
SN1083 helicoil locking nut
SN1862 oval locking nut



	Without fixing plate	With fixing plate
Square flange receptacle (front or rear mounting on panel) and 4 screws	4 nuts	1 fixing plate
	4 plain washers or locking washers	
	8 elements	1 element

Ordering Information

Four holes self-locking fixing plates SN 201 F part number - Teflon locking pins

Basic Series	SN 201F	**	*
Size (see table)			
Type of thread: N: ISO thread (Black) V: UNJC thread, class 3B (Green)			

SN 1252 part number - Helicoil locking nut

Basic Series	SN 1252	**	*
Size (see table)			
Type of thread: N: ISO thread (Black) V: UNJC thread, class 3B (Green)			

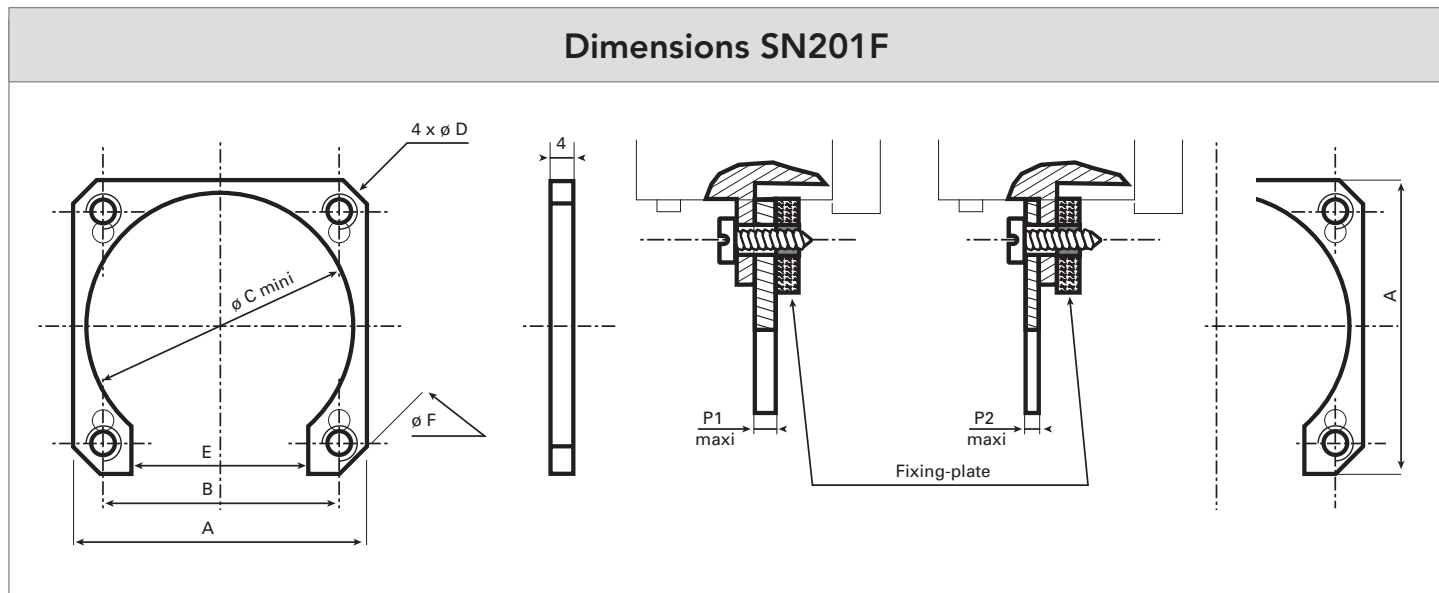
Three holes self-locking fixing plates SN 1083 part number - Helicoil locking nut

Basic Series	SN 1083	**	*
Size (see table)			
Type of thread: N: ISO thread (Black) V: UNJC thread, class 3B (Green)			

Two holes self-locking fixing plates SN 1862 part number - Oval locking nut

Basic Series	SN 1862	2	*	V	A
Two holes					
Size (see table)					
Type of thread: 4.40 UNJC thread, class 3B (possibility to consult us on other type of thread)					
Stainless steel nut					

Four holes self-locking fixing plates

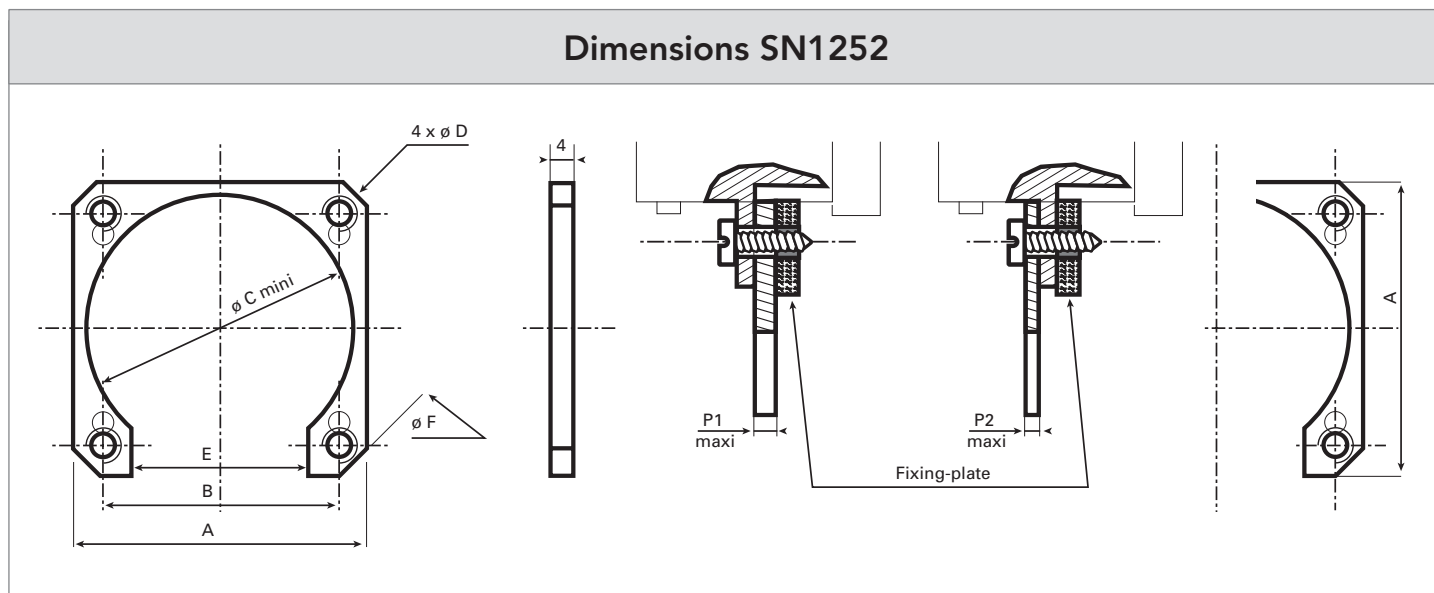


SN 201 F - ** - *

Sizes	P1	P2	A	B	ØC	ØD		E	ØF	Weight in grams
						ISO	UNJC			
08	5 .197	2.8 .110	21 .827	15.1 .594	15.2 .598	M3	4-40	7 .276	27.3 1.075	2.1
10	5 .197	2.8 .110	25.4 1.000	18.3 .720	19.5 .768	M3	4-40	10 .394	32 1.260	2.8
12	5 .197	2.8 .110	27.8 1.094	20.6 .811	22.7 .894	M3	4-40	13 .512	35.3 1.390	2.8
14	5 .197	2.8 .110	30.2 1.189	23 .906	26 1.024	M3	4-40	14 .551	38.6 1.520	3.1
16	5 .197	2.8 .110	32.5 1.280	24.6 .969	28.5 1.122	M3	4-40	16 .630	40.8 1.606	3.7
18	5 .197	2.8 .110	35.1 1.382	27 1.063	31.1 1.124	M3	4-40	18 .709	44.7 1.760	3.8
20	5 .197	5.4 .213	39 1.535	29.4 1.157	34 1.339	M3	4-40	20 .787	49.1 1.933	4.2
22	5 .197	5.4 .213	42.3 1.665	31.7 1.248	37.3 1.469	M3	4-40	23 .906	53.1 2.091	5
24	5 .197	5.4 .213	45.5 1.791	34.9 1.374	40.5 1.594	M3.5	6-32	26 1.024	57.3 2.256	5.7
243	5 .197	5.4 .213	45.5 1.791	34.9 1.374	40.5 1.594	M3	X	26 1.024	57.3 2.256	5.7

Dimensions in mm / inch

Four holes self-locking fixing plates

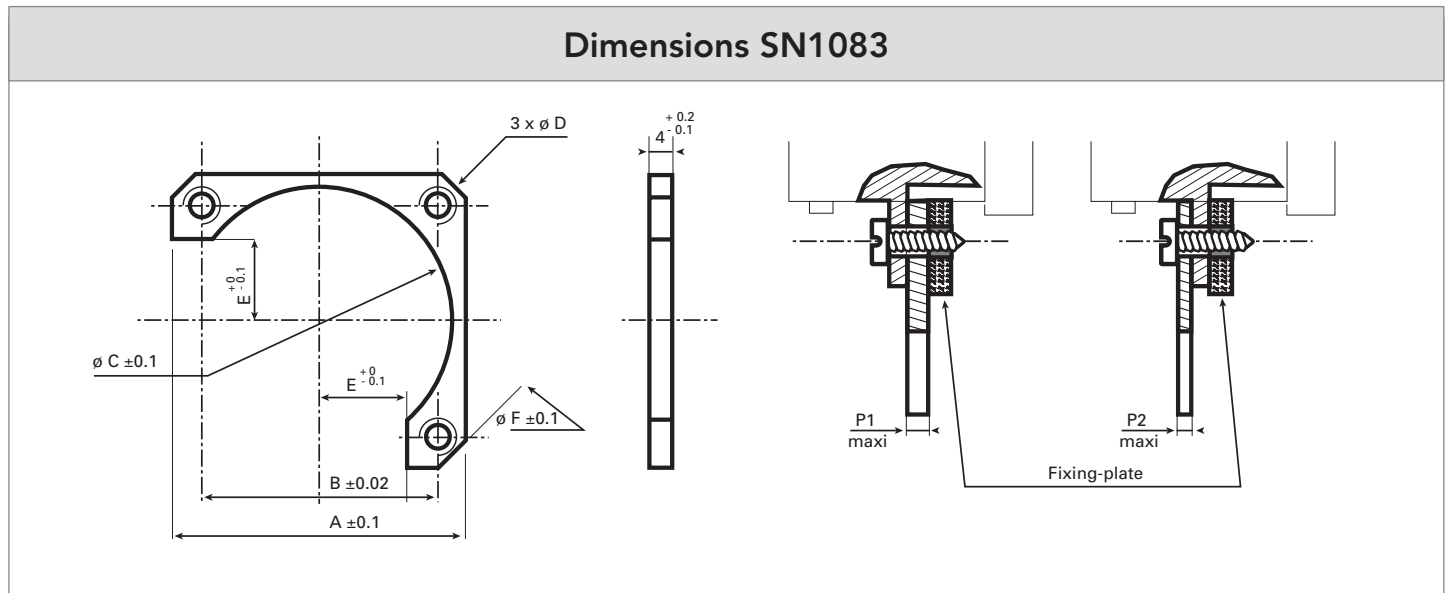


SN 1252 - ** - *

Sizes	P1	P2	A	B	ØC	ØD		E	ØF	Weight in grams
						ISO	UNJC			
08	5 .197	2.8 .110	21 .827	15.1 .594	15.2 .598	M3	4-40	7 .276	27.3 1.075	2.1
10	5 .197	2.8 .110	25.4 1.000	18.3 .720	19.5 .768	M3	4-40	10 .394	32 1.260	2.8
12	5 .197	2.8 .110	27.8 1.094	20.6 .811	22.7 .894	M3	4-40	13 .512	35.3 1.390	2.8
14	5 .197	2.8 .110	30.2 1.189	23 .906	26 1.024	M3	4-40	14 .551	38.6 1.520	3.1
16	5 .197	2.8 .110	32.5 1.280	24.6 .969	28.5 1.122	M3	4-40	16 .630	40.8 1.606	3.7
18	5 .197	2.8 .110	35.1 1.382	27 1.063	31.1 1.124	M3	4-40	18 .709	44.7 1.760	3.8
20	5 .197	5.4 .213	39 1.535	29.4 1.157	34 1.339	M3	4-40	20 .787	49.1 1.933	4.2
22	5 .197	5.4 .213	42.3 1.665	31.7 1.248	37.3 1.469	M3	4-40	23 .906	53.1 2.091	5
24	5 .197	5.4 .213	45.5 1.791	34.9 1.374	40.5 1.594	M3.5	6-32	26 1.024	57.3 2.256	5.7
243	5 .197	5.4 .213	45.5 1.791	34.9 1.374	40.5 1.594	M3	X	26 1.024	57.3 2.256	5.7

Dimensions in mm / inch

Four holes self-locking fixing plates

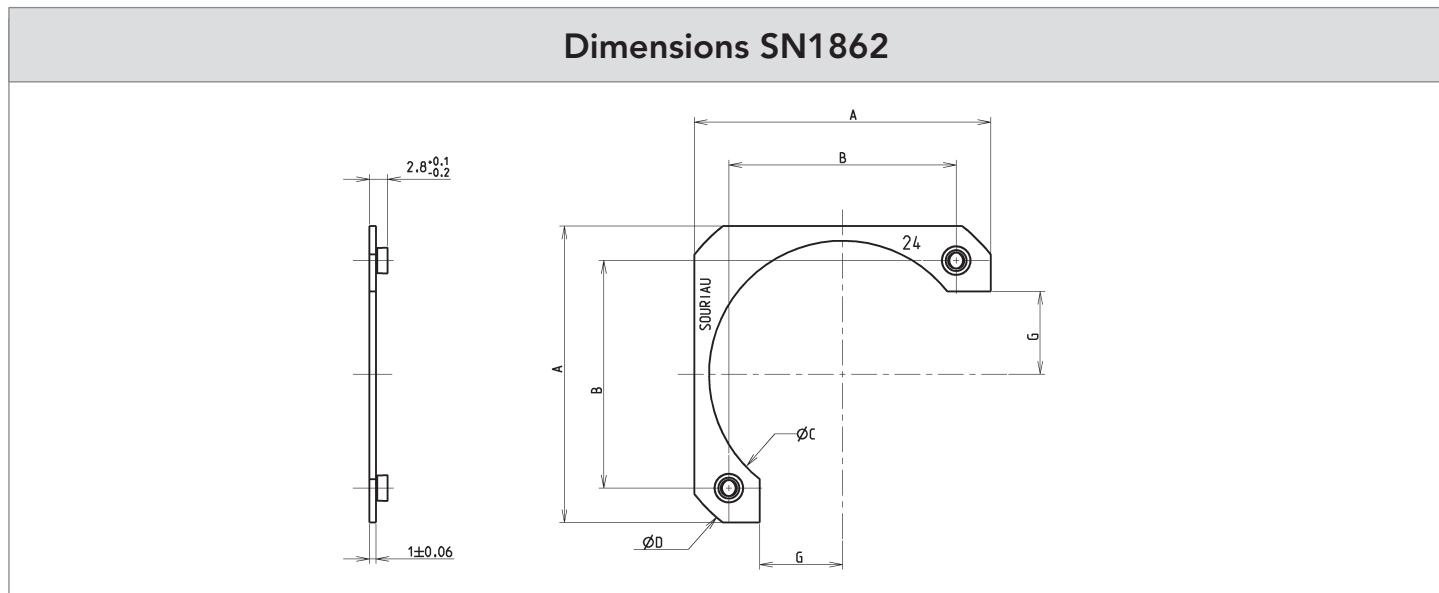


SN 1083 - ** - *

Sizes	P1	P2	A	B	ØC	ØD		E	ØF	Weight in grams
						ISO	UNJC			
08	5 .197	2.8 .110	21 .827	15.1 .594	15.2 .598	M3	4-40	4.5 .177	27.3 1.075	1.6
10	9 .354	2.8 .110	25.4 1.000	18.3 .720	19.5 .768	M3	4-40	5.5 .217	32 1.260	2.1
12	5 .197	2.8 .110	27.8 1.094	20.6 .811	22.7 .894	M3	4-40	6.6 .260	35.3 1.390	2.2
14	5 .197	2.8 .110	30.2 1.189	23 .906	26 1.024	M3	4-40	7.8 .307	38.6 1.520	2.3
16	5 .197	2.8 .110	32.5 1.280	24.6 .969	28.5 1.122	M3	4-40	8.2 .323	40.8 1.606	2.4
18	5 .197	2.8 .110	35.1 1.382	27 1.063	31.1 1.124	M3	4-40	9.3 .366	44.7 1.760	2.7
20	5 .197	5.4 .213	39 1.535	29.4 1.157	34 1.339	M3	4-40	9.8 .386	49.2 1.937	4.2
22	5 .197	5.4 .213	42.3 1.665	31.7 1.248	37.3 1.469	M3	4-40	10.4 .409	53.1 2.091	4.2
24	5 .197	5.4 .213	45.5 1.791	34.9 1.374	40.5 1.594	M3.5	6-32	12 .472	57.3 2.256	4.3
243	5 .197	5.4 .213	45.5 1.791	34.9 1.374	40.5 1.594	M3	X	12 .472	57.3 2.256	4.3

Dimensions in mm / inch

Two holes self-locking fixing-plates



SN 1862 - 2 - ** - V - A

Sizes	A ±0.3	B ±0.05	ØC ±0.3	ØD	G ±0.2
				UNJC	
08	22.50 .886	15.10 .594	14.40 .567	4.40	3.91 .154
10	25.40 1.000	18.30 .720	18.40 .724	4.40	5.30 .209
12	27.80 1.094	20.60 .811	22.20 .874	4.40	6.68 .263
14	30.20 1.189	23.00 .906	25.40 1.000	4.40	7.88 .310
16	30.50 1.201	24.60 .969	27.60 1.087	4.40	8.68 .342
18	35.70 1.406	27.00 1.063	31.10 1.224	4.40	9.85 .388
20	39.00 1.535	29.40 1.157	34.50 1.358	4.40	10.31 .406
22	42.30 1.665	31.75 1.250	37.80 1.488	4.40	11.50 .453
24	45.50 1.791	34.90 1.374	41.00 1.614	6.32	12.70 .500

Dimensions in mm / inch

For further information contact us at contactmilaero@souriau.com
or visit our web site www.souriau.com