

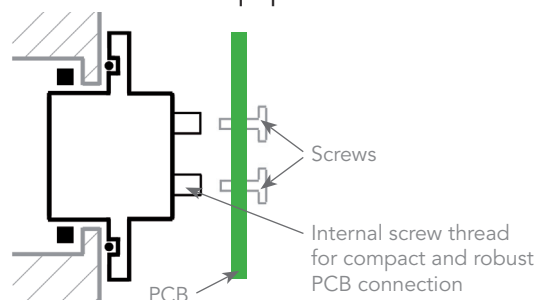
EN2997 Series Power Contacts for PCB



Firewall Connector for Power Supply and Adapted to PCB Solutions

Power contacts are attached directly to the board with screws for an optimized connection. Available in size 6 contacts (\varnothing 4.6mm) and size 4 contacts (\varnothing 5.74mm).

- Safe & Quick** ■ Avoid soldering of contacts:
- . no heat applied: no risk of damaging the connector.
 - . quicker fit in the equipment.



- Robust** ■ True mechanical link between PCB and contacts: no additional double flange needed.
- Compact** ■ Tapped contacts for direct and small sized connections, especially compared to standard lugs.



SOURIAU
Connection Technologies